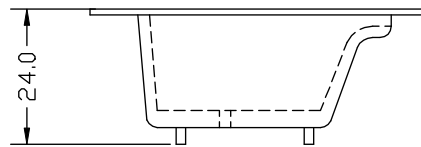
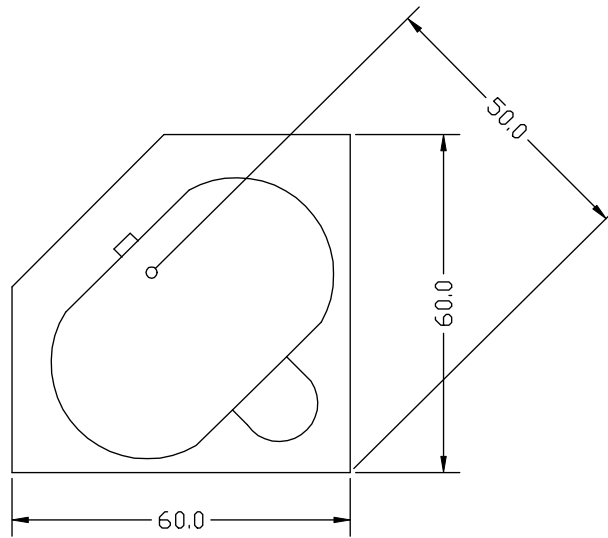


Model 6060NC

Description: 60" x 60" Corner Tub

Dimensions: Width 60"
Length 60"



60" CORNER TUB
CENTER DRAIN

AMERICAN FIBERGLASS PRODUCTS INC. DOUBLE SPRINGS, AL
PART NAME: 6060NC