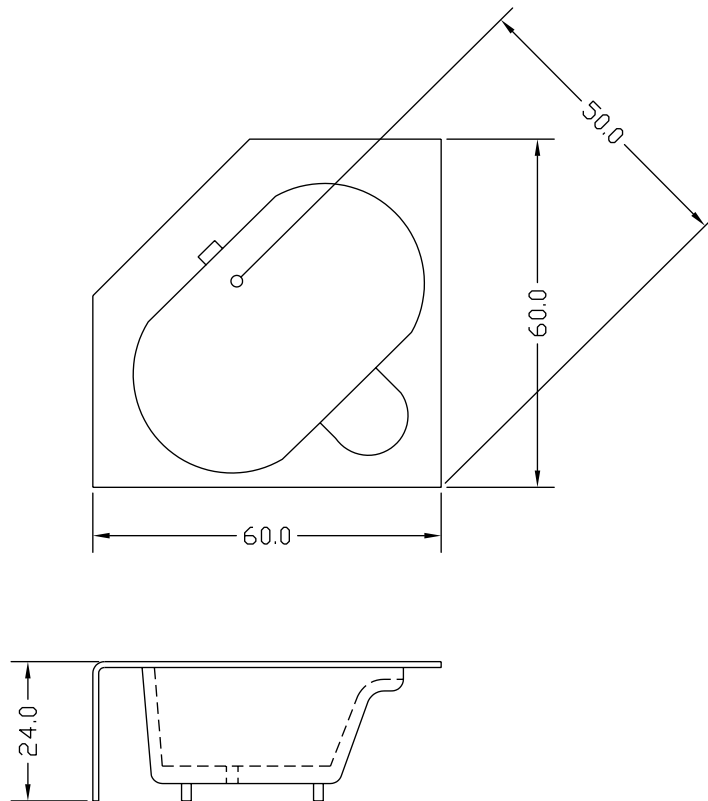


Model 6060CA



Description: 60" x 60" Corner Tub Apron

Dimensions: Width 60"
Length 60"



60" CORNER TUB
CENTER DRAIN

AMERICAN FIBERGLASS PRODUCTS INC.
DOUBLE SPRINGS, AL
PART NAME:
6060CA